

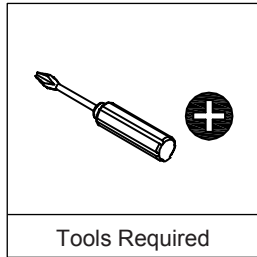
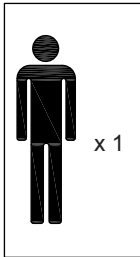
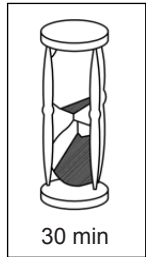
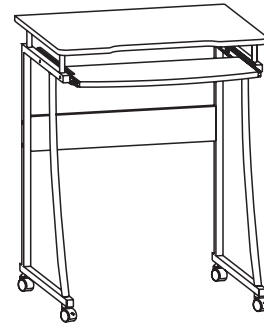


www.furinno.com

NEED HELP? For help with assembly, or if you are missing a part, please call Furinno's Customer Service, 1-773-299-8111 from Mon-Fri, 9am-5pm (CST) or email: support@furinno.com

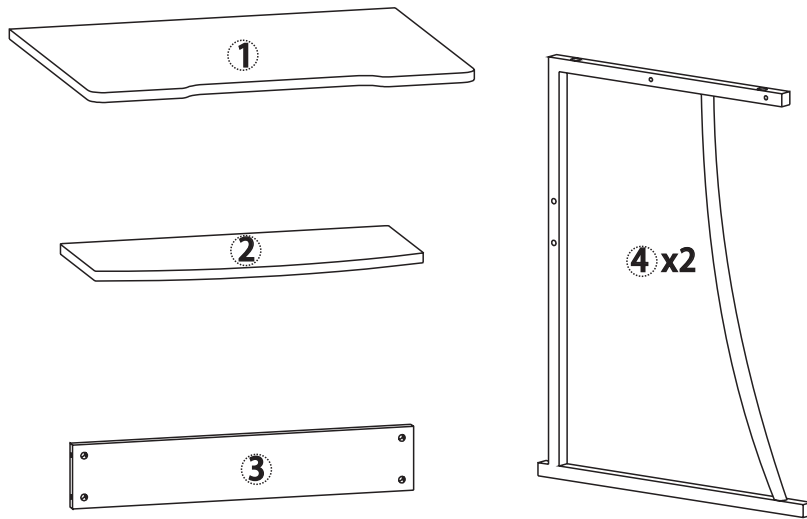
FCG295



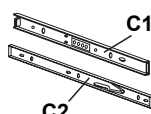







Furinno Metal Frame Computer Desk



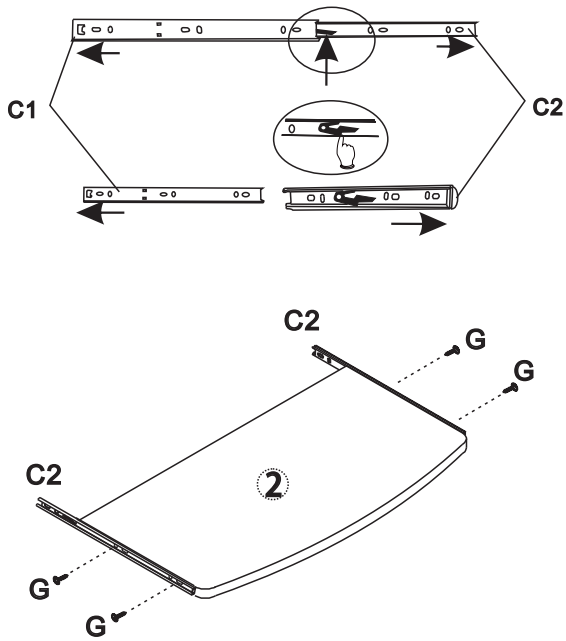
USEFUL HINTS BEFORE YOU START:

1. Read each step carefully before starting.
2. It is important that each step is performed in correct order to avoid difficulties.
3. Identify, sort and count the parts before assembly.
4. Assemble your furniture on packaging cardboard to prevent scratch or damage.
5. Clean the product with mild cleanser using soft damped cloth. Do not use harsh or abrasive cleanser.
6. Using incompatible hardware might cause damage to product.

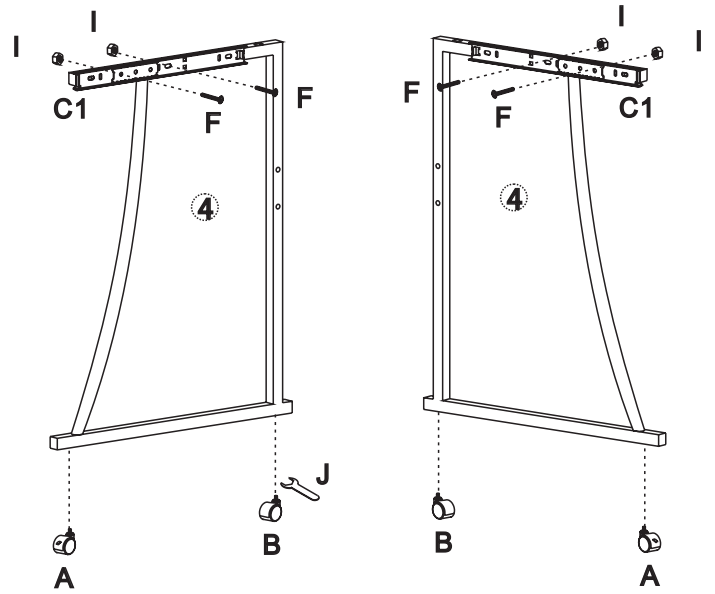


A  x2	B  x2	C  x2	D  x8	E  x4 M6x90
F  x4 M4x25	G  x4 ST3.5x14	H  x4 ST5x55	I  x4 M4	J  x1

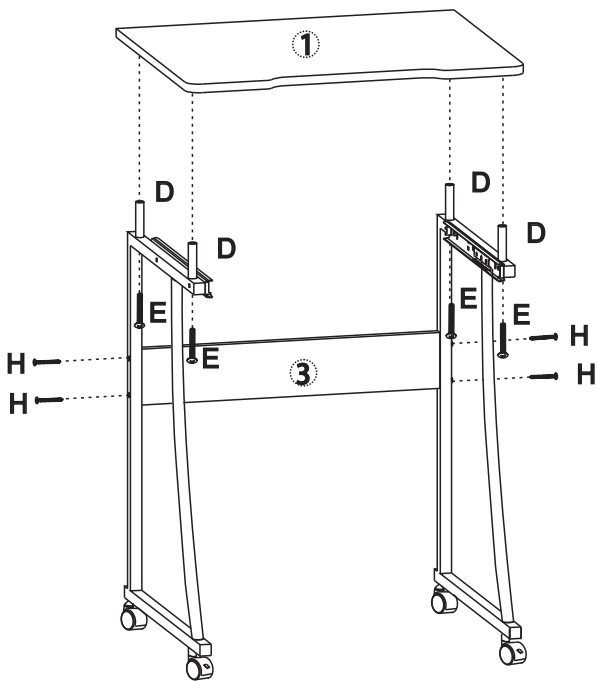
STEP 1



STEP 2



STEP 3



STEP 4

